

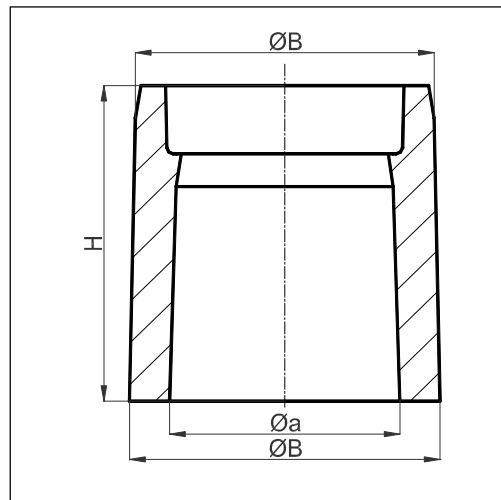
Filter risers FST

Characteristics:

- insulating formulation
- modulus controlled ignition
- rounded external corners
- filter flow rates determined by application
- applicable for either insert and ram-up applications
- high strength for machine moulding
- residual sleeve material easily removed at shakeout

Applications

grey iron, ductile iron, cast steel and nonferrous metals



Type	Modulus [cm]	Volume [cm ³]	Riser Neck (a) [mm]	Outer Ø (A) [mm]	Contact Area (B) [mm]	Height (H) [mm]
FST 40-72	1.2	95	42	52	62	73
FST 50-80	1.5	160	52	73	70	80
FST 60-90	1.7	225	57	81	76	88
FST 60-90/ 4A	1.7	225	57	81	76	88
FST 70-100	2.0	340	69	93	90	97
FST 80-110	2.3	490	79	101	98	107
FST 90-120	2.5	710	115	115	110	122